

FLOAT AND THERMOSTATIC STEAM TRAPS

FLT14I

(Stainless steel DN1/2" - 3/4"; DN15-20)

DESCRIPTION

FLT14I float and thermostatic (integral air vent) steam traps series are designed for all types of low and high pressure steam heating and process equipment.

Typical applications include unit heaters, heat exchangers, driers, jacketed vessels and all the applications where continuous drainage is essential.

Connections are female screwed or flanged for horizontal or vertical installation.

MAIN FEATURES

Modulating discharge.

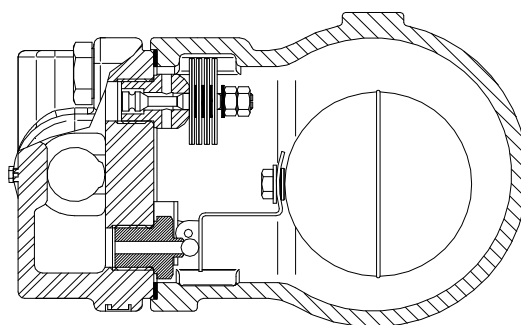
Discharges condensate at steam temperature.

Unaffected by sudden or wide load and pressure changes.

Excellent air discharge (by thermostatic air vent).



- OPTIONS:** SLR – steam lock release
Equalizing plug or vent connection
- USE:** Saturated and superheated steam.
- AVAILABLE MODELS:** FLT14I-4,5 , 10 and 14
- SIZES:** DN 1/2" to DN3/4" – DN15 to DN20
- CONNECTIONS:** Female screwed ISO7/1 Rp (BS21)
Flanged EN 1092-1 PN16 or ANSI
- INSTALLATION:** Standard horizontal installation –
From right to left FLT14I (R-L)



Upon request:

-horizontal installation with the flow from left to right (L-R)

-vertical installation with the flow from top to bottom (V)

MAX. DIFFERENTIAL PRESSURE

FLT14I-4,5 : 4,5 bar

FLT14I-10 : 10 bar

FLT14I-14: 14 bar

BODY LIMITING CONDITIONS

FLANGED PN16*	FLANGED ANSI 150 **	RELATED TEMP.
ALLOW. PRES.	ALLOW. PRES.	
16 bar	16 bar	100 °C
14,5 bar	14,8 bar	150 °C
13,4 bar	13,6 bar	200 °C
12,7 bar	12 bar	250 °C

PMO - Max. operating pressure 14 bar

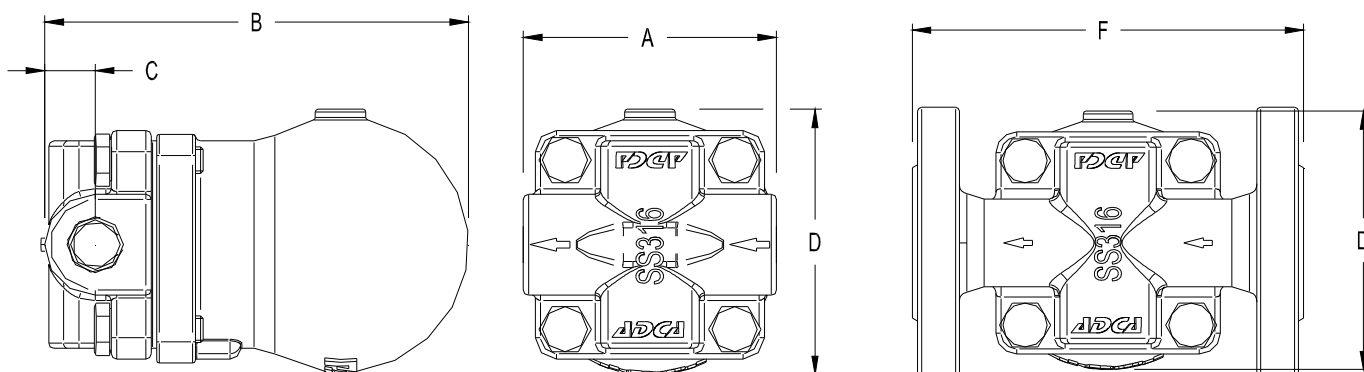
TMO - Max. operating temperature 198 °C

* According to EN1092-1:2007 ; ** Acc. to EN1759-1:2004

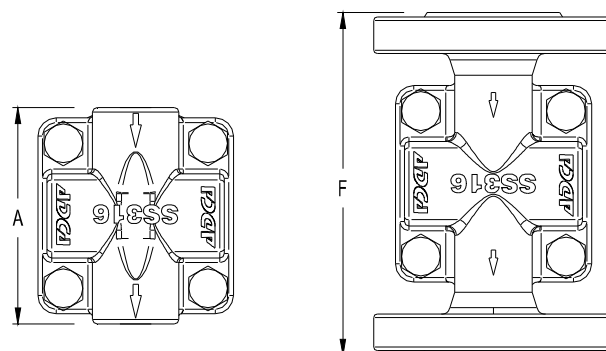
Body limiting conditions PN16 or below, depending on the type of connection adopted. Rating PN16 for thread.

FLOW RATE CAPACITY IN Kgs/h

MODEL	SIZE	DIFFERENTIAL PRESSURE (bar)													
		0,5	1	1,5	2	3	4,5	6	7	8	9	10	12	14	
FLT14I-4,5	15 - 20	200	280	320	360	400	495								
FLT14I-10	15 - 20	110	140	175	190	230	280	300	330	350	390	405			
FLT14I-14	15 - 20	70	100	120	140	155	190	210	220	225	230	260	280	300	



DIMENSIONS (mm)									
Screwed					EN PN16		ANSI 150		
SIZE DN	A	B	C	D	WGT. Kgs	F	WGT. Kgs	F	WGT. Kgs
15-1/2"	95	160	23	100	3,5	150	5	150	4,5
20-3/4"	95	160	23	100	3,5	150	5,5	150	4,7


Vertical Installation (V)

MATERIALS		
POS.Nr.	DESIGNATION	MATERIAL
1	Body	CF8M / 1.4408
2	Cover	CF8M / 1.4408
3	*Gasket	Stainless st./Graphite
4	*Seat	AISI 410 / 1.4006
5	*Valve	AISI 440C / 1.4125
6	*Lever	AISI 304 / 1.4301
7	*Float	AISI 304 / 1.4301
8	*Air vent	Stainless st. (Bimetallic)
9	Bolts	St.Steel A2-70

*Available spare parts.

